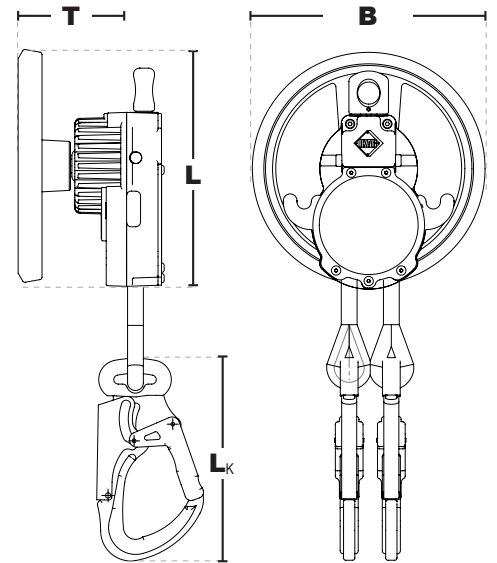


## ABS 4 W

according to EN 341:2011/1A, ANSI/ASSE Z359.4-2013



IKV 11 (EN 362:2004)



### Features:

Developed for the simultaneous rescue of 2 persons simultaneously. The double brake system minimizes the force on the brakes and the abrasion on the rope.

During the descent process, the centrifugal brake keeps the device at a constant speed during the entire descent. With the help of the new deviation point on the device, the descent speed can be regulated.

The ABS 4 W is the ideal device for the self-rescue of 2 persons / multiple evacuations or for training measures

### Controlled descent device

- Resistant and low-maintenance descent device with swivel with ball bearing
- Robust, seawater-resistant aluminium housing with Kernmantle rope Ø 10.5 mm
- Nominal load EN: 200 kg
- Minimum load EN: 70 kg
- Nominal load ANSI/ASSE: 282 kg
- Minimum load ANSI/ASSE: 59 kg
- Proof load EN 341: 250 kg
- Tested for 2 persons
- static proof load: 20 kN
- Descent metres with nominal load: 200 kg: 3.800 m
- Descent metres with minimum load: 70 kg: 11.000 m
- Maximum descent height: 200 m
- Maximum descent speed: 1,5 m/s
- WKF-rope pulley
- descent rope: KMS 105 EN 1891:1998 A
- Temperature range of application: -40°C bis +50°C
- Life service: approx 10 years

### Product information:

Order No.:	Lanyard	Housing	Weight	Dimensions (LxBxT)	Connector (L <sub>K</sub> )
42-ABS 4 W	Kernmantle rope	Aluminium	2,26 kg	200 x 200 x 120 mm	136 mm
KMS 105-X	Standard till 20 m rope length - Enter the required cable length when ordering				
KMS 105	Every other meter (70 g/m) - Enter the required cable length when ordering				

### Application:

Rescue, descent

### Areas of use:

Wind turbine generators, Cable cars